

UB20xx

8"/20 cm

Blower/Exhauster

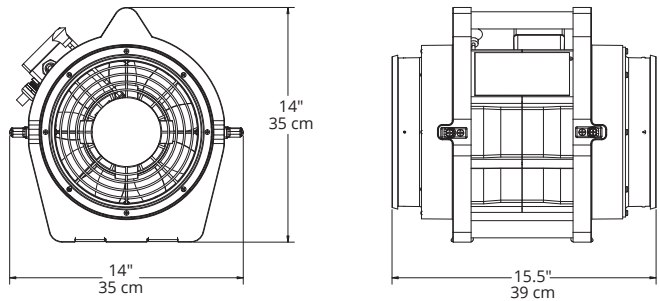
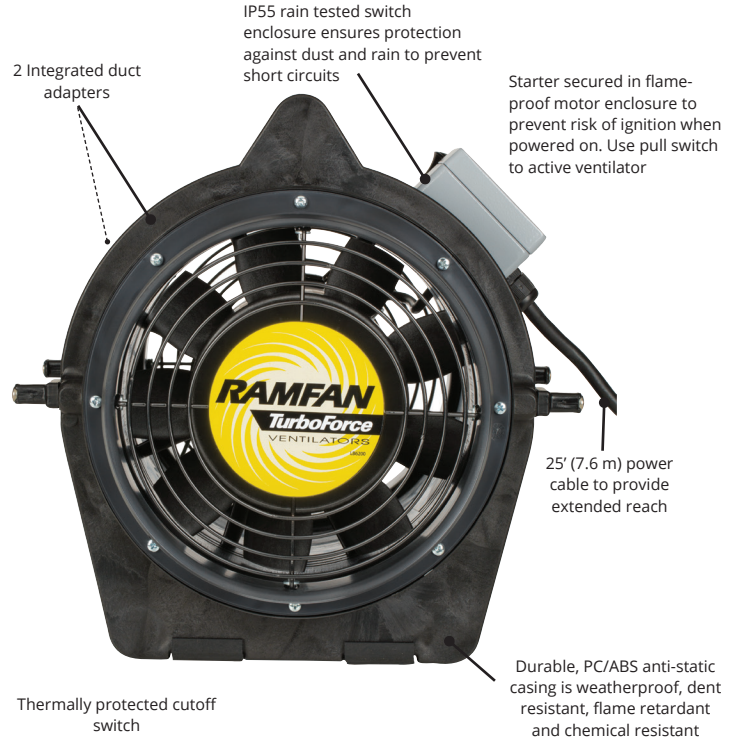
Explosion-proof blower/exhauster manufactured to meet the requirements of the ATEX Directive, IEC standards and INMETRO standards. Safely blow or exhaust hazardous gases with minimal risk of the fan causing a spark.

Safety is compromised if any component along the electrical path in the blower/exhauster poses a risk of igniting a spark. Therefore, the UB20xx is built using only certified explosion-proof components along the electrical path. Furthermore, once assembled the whole unit is certified for safe use in explosive atmospheres in accordance with the limitations of the rating. It is the user's responsibility to determine the suitability of equipment for the intended purpose.

In addition to providing peace of mind to the user, whole-unit certified fan prevents suppliers from being linked to the chain of liability. That is why it is crucial for users and suppliers to demand whole-unit certification.

Specifications

Model	UB20xx (115V)	UB20xx (230V)
Part #	EF7002 (115V)	EF8002 (230V)
IMPA Code	591416	591417
Motor	0.33 Hp	0.25 kW
Motor Type	Totally Encapsulated Air Over Flame Proof	
Electric	115V, 50/60Hz, 1Ø	230V, 50/60Hz, 1Ø
Amps (Start/Run)	7A / 2A	7A / 1.2A
Cable Lengths	25'/16 AWG	7.6 m/1.5 mm2
Plug Types	A.T.X. 100/130V	A.T.X. 240V
Operating Temperature	-22°F to +104°F	-30°C to +40°C
Noise	74 dB @ 3' (1m)	
Run Time	Continuous	
Weight	27 lbs	12 kg
Dimensions (h/w/d)	14 x 14 x 15.5 in	35 x 35 x 39 cm
Impeller	9-Blade	
Duct Adapters	2	



WHOLE-UNIT CERTIFICATION



Certifications & Approvals
 Ex II 2 G Ex de IIB T6 Gb
 IECEx UL Certificate #: 13.0062X
 INMETRO Certificate #: UL-BR 13.0593X

Performance

Airflow	UB20xx (60Hz)	UB20xx (50Hz)
Free Air	980 cfm (1,666 m3/hr)	819 cfm (1,392 m3/hr)
Through Duct		
15'/4.6 m w/ one 90° turn:	789 cfm (1,341 m3/hr)	659 cfm (1,120 m3/hr)
15'/4.6 m w/ two 90° turns:	666 cfm (1,132 m3/hr)	558 cfm (948 m3/hr)
25'/7.6 m w/ one 90° turn:	722 cfm (1,227 m3/hr)	603 cfm (1,025 m3/hr)
25'/7.6 m w/ two 90° turns:	614 cfm (1,044 m3/hr)	510 cfm (867 m3/hr)

Kits

UB20xx w/ Quick-Couple™ Canister

Order# EF7015 - 60Hz UB20xx w/Canister & 15' (4.6 m) duct
 Order# EF7025 - 60Hz UB20xx w/Canister & 25' (7.6 m) duct
 Order# EF8015 - 50Hz UB20xx w/Canister & 15' (4.6 m) duct
 Order# EF8025 - 50Hz UB20xx w/Canister & 25' (7.6 m) duct

UB20xx M.E.D.™ (Manhole Entry Device)

Order# EF7015-MEDXX (UB20XX 60 Hz)
 Order# EF8015-MEDXX (UB20XX 50 Hz)

Anti-static system ventilates without blocking the entry to maintain airflow while working and permits rapid entry and exit.

Package includes: UB20xx fan, Quick-couple™ canister with conductive duct, M.E.D.™, 90° elbow, and universal mount.



Available Accessories

ECKO Flex™ Anti-Static Duct with carrying bag

Order# FDT-0815CBB
 8" (20cm) anti-static duct 15' (4.6 m), w/ carrying bag
 Order# FDT-0825CBB
 8" (20cm) anti-static duct 25' (7.6 m), w/ carrying bag



Quick-Couple™ Canister

Order# EF7004CS
 Quick-Couple™ Canister w/ 8" (20cm) conductive duct 15' (4.6 m)



Order# EF7004CL
 Quick-Couple™ Canister w/ 8" (20cm) conductive duct 25' (7.6 m)