

# EFi75xx

12"/30 cm

Blower/Exhauster

The electric powered EFi75xx hazardous location blower/exhauster, with **whole-unit certification**, is intended for use in Adverse Atmospheres in accordance with the limitations of the rating. The whole-unit certification not only provides protection and peace of mind to the user; it also prevents suppliers from being linked to the chain of liability. That is why it is crucial for users and suppliers to demand whole-unit certification. Having only a certified motor is a half-measure towards safety that puts workers and suppliers at risk.

## Specifications

Model	EFi75xx (115V)	EFi75xx (230V)
Part #	EB7201XX	EB7201XX-230
IMPA Codes	591506, 591418, 591423	591506, 591419, 591424
Motor	0.75 Hp	0.56 kW
Motor Type	Totally Encapsulated Air Flame Proof	
Electric	115/230V, 50/60Hz, 1ø	
Amps (Start/Run)	37A /8.8A	27A /4.4A
Cable Lengths	25'/7.6 m, 14AWG/2.5mm <sup>2</sup>	
Plug Types	A.T.X. 100/130V	A.T.X. 240V
Operating Temperature	-22°F to +104°F	-30°C, to +40°C
Noise	89 dB @ 3' (1 m)	
Run Time	Continuous	
Weight	44 lbs	20 kg
Dimensions (h/w/d)	16 x 15 x 16 in	41 x 38 x 41 cm
Duct Adapters	2	

## « Certifications & Approvals

EFi75xx Certification String II 2 G EX de IIB T6 Gb

IECEx UL Certificate #: **13.0062X**

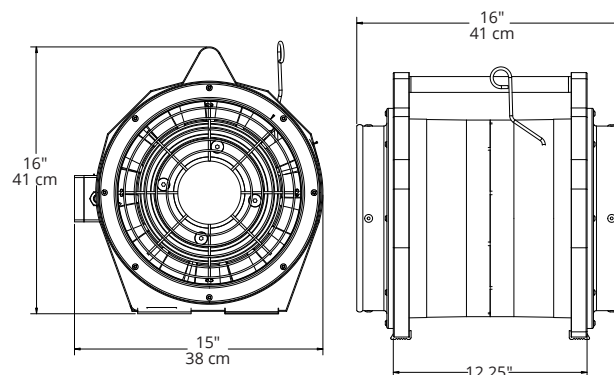
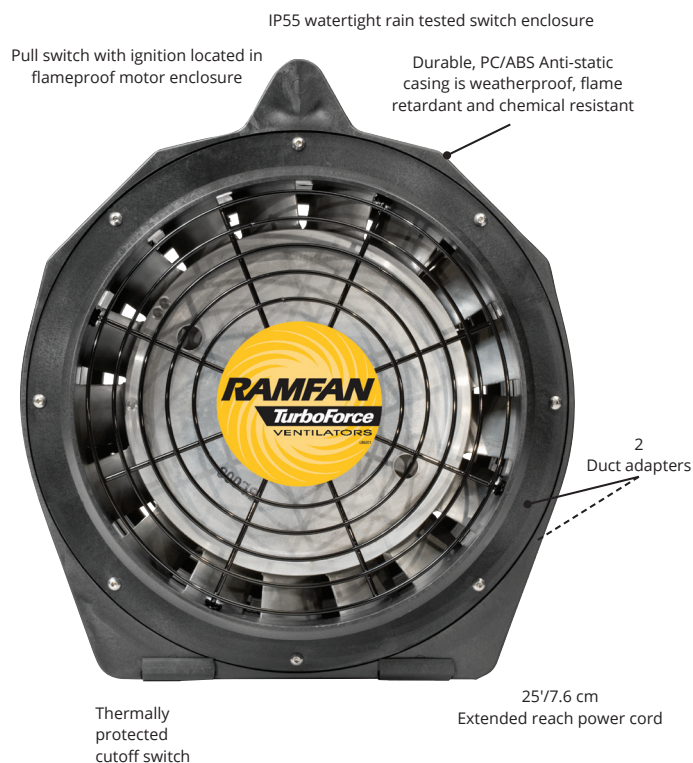
EC-Type Examination Certificate #: **DEMKO 09 ATEX 0926969X**

INMETRO Certificate #: **UL-BR 13.0593X**

CE Hazardous Location Marking: **CE0539**

Ingress Protection: **IP55**

Motor Part Number: **EM-F.75-60-XPEX**



## Performance

Airflow	EFi75xx
Free Air	2,500 cfm (4,250 m <sup>3</sup> /hr)
Through Duct 15'/4.6 m w/ one 90° turn:	1,664 cfm (2,829 m <sup>3</sup> /hr)
15'/4.6 m w/ two 90° turns:	1,529 cfm (2,599 m <sup>3</sup> /hr)

## Available Accessories

### Duct Adapter/Reducer

Order # EC0301  
12" (30 cm) - 8" (20cm) diameter Duct Adapter/Reducer for the 30cm EFi75xx



### ECKO Flex™ Anti-Static Duct with carrying bag

Order # FDT-1215CBB - 12" (30cm) anti-static duct 15' (4.6 m), w/ carrying bag

Order # FDT-1225CBB - 12" (30cm) anti-static duct 25' (7.6 m), w/ carrying bag

