

**ZONE 1**

# EFi50xx/EFi120xx/EFi150xx

16"/40 cm  
Blower/Exhauster

The electric powered EFixx Series hazardous location blowers/exhausters, with **whole-unit certification**, are intended for use in Adverse Atmospheres in accordance with the limitations of the rating. The whole-unit certification not only provides protection and peace of mind to the user; it also prevents suppliers from being linked to the chain of liability.

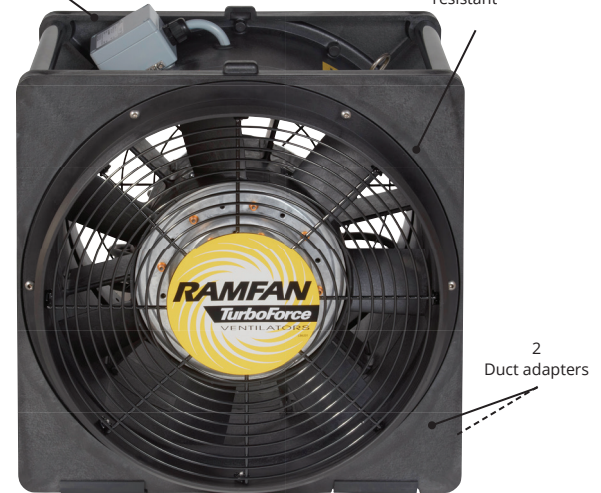
The largest hazardous location blowers for highest volume of air movement. Use the EFi50xx (0.5 Hp) when you need a high volume, low velocity, somewhat gentler flow; or the EFi150xx (1.5 Hp) model for higher velocities, increased volumes and reduced purge or cooling times. 16" (40 cm) integrated duct adapters. Stackable in storage or during operation.

## Specifications

| Model                 | EFi50xx (115V/230V)                  |                               | EFi120xx (110V/240V)               |                           | EFi150xx (115V/230V)      |                               |
|-----------------------|--------------------------------------|-------------------------------|------------------------------------|---------------------------|---------------------------|-------------------------------|
| Part #                | EA8000XX<br>Ships as 115V            | EA8000XX-230<br>Ships as 230V | EA8120XX-110<br>Ships as 110V      | EA8120XX<br>Ships as 240V | EG8200XX<br>Ships as 115V | EG8200XX-230<br>Ships as 230V |
| IMPA Code             |                                      |                               |                                    |                           | 591507                    |                               |
| Motor                 | 0.5 Hp / 0.37 kW                     |                               | 1.2 Hp / 0.9 kW                    |                           | 1.5 Hp / 1.1 kW           |                               |
| Motor Type            | Totally Encapsulated Air Flame Proof |                               |                                    |                           |                           |                               |
| Electric              | 115/230V, 50/60Hz, 1ø                |                               | 110/230V, 50Hz, 1ø                 |                           | 115/230V, 50/60 Hz, 1ø    |                               |
| Amps (Start/Run)      | 25A / 6A                             | 13A / 3A                      | 54A / 10A                          | 27A / 5A                  | 80A / 15A                 | 40A / 8A                      |
| Cable Lengths         | 30'/9m, 14AWG/2.5mm <sup>2</sup>     |                               | 25'/7.6m, 14AWG/2.5mm <sup>2</sup> |                           |                           |                               |
| Plug Types            | Not Included                         |                               | A.T.X.<br>100/130V                 | A.T.X. 240V               | A.T.X.<br>100/130V        | A.T.X. 240V                   |
| Operating Temperature | -22°F to +104°F / -30°C, to +40°C    |                               |                                    |                           |                           |                               |
| Noise                 | 90.2 dB @ 3' (1 m)                   |                               | 86.1 dB @ 3' (1 m)                 |                           | 90.2 dB @ 3' (1 m)        |                               |
| Weight                | 49 lbs / 22 kg                       |                               | 55 lbs / 25 kg                     |                           | 61 lbs / 28 kg            |                               |
| Dimensions (h/w/d)    | 19 x 18 x 16 in / 48 x 46 x 41 cm    |                               |                                    |                           |                           |                               |
| Impeller              | 21-Blade                             |                               | 7-Blade                            |                           |                           |                               |

IP55 rain tested switch enclosure

Durable, PC/ABS Anti-static casing is weatherproof, flame retardant and chemical resistant



\* EFi50xx has 21 blades

## «Certifications & Approvals

Certification String: II 2 G EX de IIB T6 Gb

 IECEx UL Certificate #: **13.0062X** 

 EC-Type Examination Certificate #: **DEMKO 09 ATEX 0926969X**

 CE Hazardous Location Marking: **CE0539**

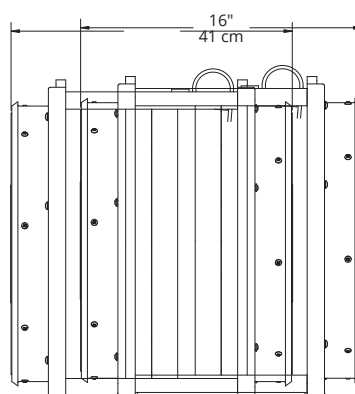
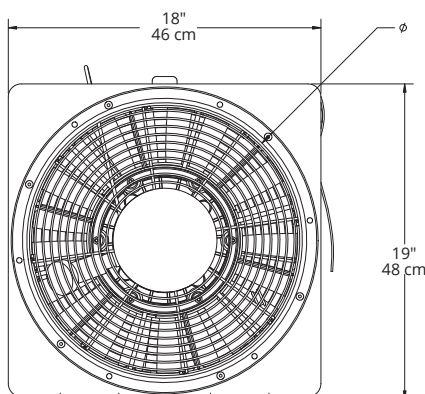
 Ingress Protection: **IP55**
**EFi150xx Approval**

 INMETRO Certificate #: **UL-BR 13.0593X**
**EFi50xx Motor Approval** Class I-II Group D, E, F, G

**EFi50xx Motor Part Number 1131007404**


## Performance

| Airflow                                    | EFi50xx                              | EFi120xx                             | EFi150xx                             |
|--|--------------------------------------|--------------------------------------|--------------------------------------|
| Free Air                                   | 3,200 cfm (5,440 m <sup>3</sup> /hr) | 3,750 cfm (6,375 m <sup>3</sup> /hr) | 4,459 cfm (7,580 m <sup>3</sup> /hr) |
| Through Duct<br>15'/4.6 m w/ one 90° turn: | 1,935 cfm (3,289 m <sup>3</sup> /hr) | 2,700 cfm (4,590 m <sup>3</sup> /hr) | 3,179 cfm (5,404 m <sup>3</sup> /hr) |



## Available Accessory

### ECKO Flex™ Anti-Static Duct with carrying bag

 Order # FDT-1615CBR - 16" (40cm) anti-static duct  
15' (4.6 m), w/ carrying bag

 Order # FDT-1625CBR - 16" (40cm) anti-static duct  
25' (7.6 m), w/ carrying bag
