

# AFi75xx

## 12"/30 cm

### Blower/Exhauster

The compact, air driven AFi75xx ventilator exhausts the air outside of the duct, not in airstream. The hazardous location blower/exhauster provides protection and peace of mind to the user.

### Specifications

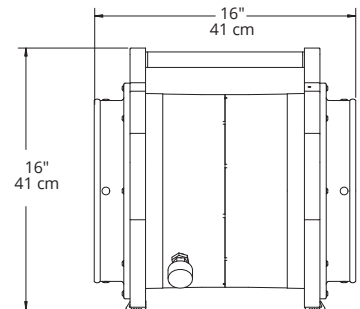
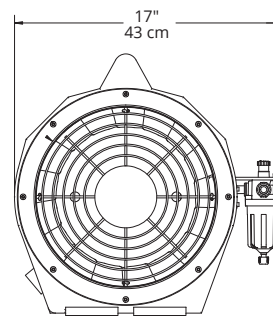
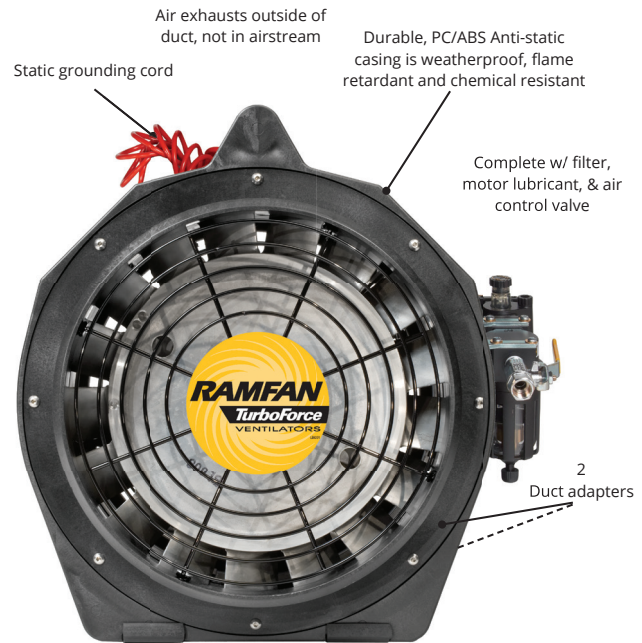
|  |                                      |
|--|--------------------------------------|
| <b>Model</b>   | <b>AFi75xx</b>                       |
| Part #   | AB7000                               |
| IMPA Code  | 591511, 591425                       |
| Motor  | GAST 4AM-NRV-50C                     |
| Motor Type   | Totally Encapsulated Air Flame Proof |
| Operating Temperature  | -22°F to +104°F / -30°C, to +40°C    |
| Noise  | 89 dB @ 3' (1 m)                     |
| Run Time   | Continuous                           |
| Weight   | 38 lbs /17 kg                        |
| Dimensions (h/w/d)   | 16 x 17 x 16 in / 41 x 43 x 41 cm    |
| Duct Adapters  | 2                                    |
| <b>AIR CONSUMPTION AND HORSEPOWER REQUIREMENTS FOR AIR COMPRESSOR*</b> |                                      |
| Air Pressure (PSIG) Inlet Air  | 80                                   |
| Air Consumption  | 40 scfm / 68 m³/hr                   |
| Compressor Hp  | 6.4 Hp                               |
| Induction Ratio  | 51:1                                 |

\*Values are shown for single-stage piston-type air compressors operating at 85% efficiency, and working on intake air under standard conditions.

### «Certifications & Approvals

AFi75xx Motor Certification String

Ex II 2 GD c T4+1° C < Ta < +40° C



### Performance

|                |   |
|----------------|---|
| <b>Airflow</b> |   |
| Free Air       | 2,042 cfm (3,471 m³/hr)<br>(measurement @ 80psig inlet air) |

### Available Accessories

#### Duct Adapter/Reducer

Order # EC0301  
12" (30 cm) - 8" (20cm) diameter Duct Adapter/Reducer for the 30cm AFi75xx



#### ECKO Flex™ Anti-Static Duct with carrying bag

Order # FDT-1215CBB - 12" (30cm) anti-static duct 15' (4.6 m), w/ carrying bag  
Order # FDT-1225CBB - 12" (30cm) anti-static duct 25' (7.6 m), w/ carrying bag

